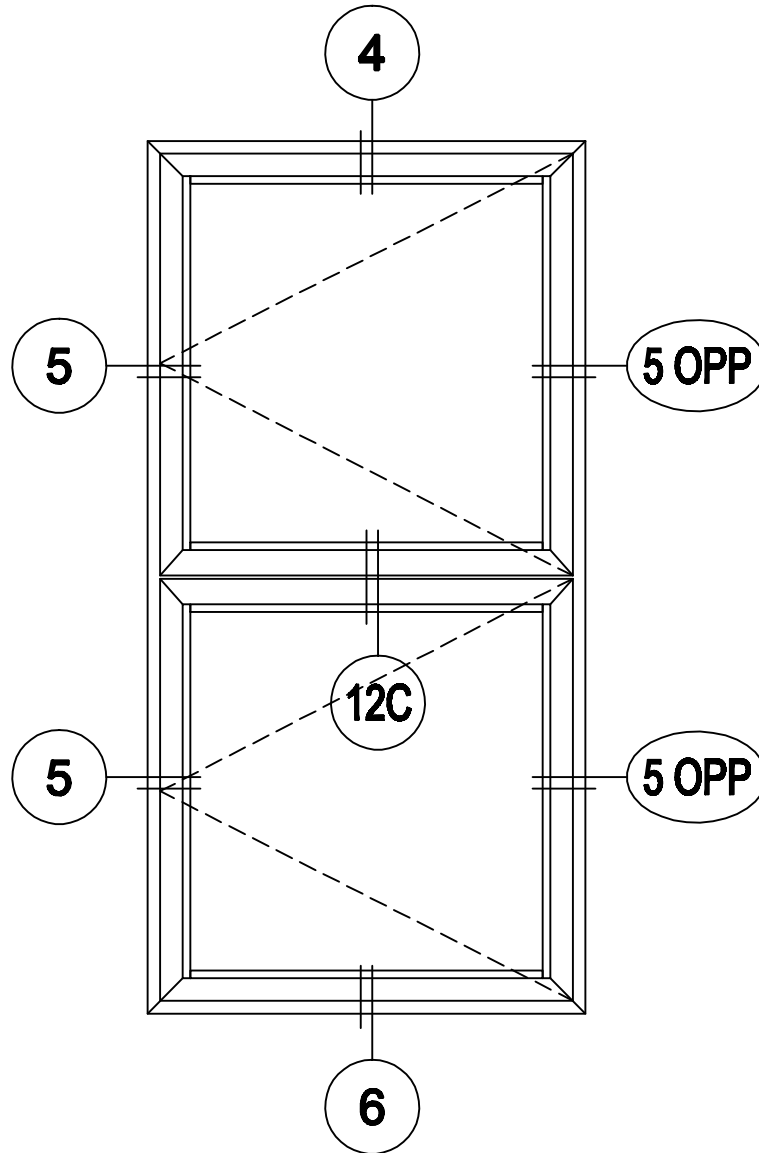


I

# STACKED CASEMENT OVER CASEMENT (STK'D: C/C)



NOTE: ALL STACK CONFIGURATIONS ARE NOTED FROM TOP DOWN

