

IMPORTANT NOTE: Metal Window Corp's. 4000 Series Multi-Slide and Pocket Doors are intended to be installed by a qualified, licensed C17 glazing contractor and are to be installed following published standards of the latest versions, including but not limited to: American Society for Testing and Materials (ASTM) E2112, American Architectural Manufacturers Association (AAMA) 2400, and Glass Association of North America (GANA) Glazing Manual. All MWC provided products must be installed in accordance with the aforementioned standards and the MWC published installation instructions. Once the frames are delivered, it is the dealer (Customer) / installer's responsibility to meet the standards of the industry to supply a weather-resistive and well functioning installation. Failure to fully comply in any respect with these instructions (or

Abbreviations / Glossary

Licensed Contractor - A person authorized to perform specific tasks or install specific materials which they are fully trained and qualified to accomplish in accordance with published standards.

WRB – Weather Resistive Barrier - The surface or surfaces of a wall system responsible for preventing water infiltration into the building.

WRPS – Water Return Pan System - A formed sealed pan intended to mitigate the possibility of water migrating to the interior of the building at the sill by diverting it to the exterior of the building.

Level - Having a horizontally flat, even surface with no irregularities and no vertical tilts.

Plumb - To make vertical.

Square - Two construct members that meet at a right 90 ° angle.

Galvanic Corrosion - A form of deterioration of metal resulting from the electrochemical reaction that occurs when certain dissimilar metals are in contact with each other in the presence of moisture.

Pre-Installation Inspection

1. Check the opening to insure it has been properly prepared. The jambs are plumb, the head and sill are level and straight.
2. Check the sheet metal sill pan (previously installed by a Licensed Contractor) to insure that it has been designed and installed absolutely level and in accordance with standard sheet metal practices and that it is fully integrated with the building's waterproofing system. Confirm also that the turned up leg at the pan has been provided at the proper height required for the level of water infiltration protection required for your particular installation requirements. See below for turn up heights and the corresponding water resistance. (See Fig. 1)

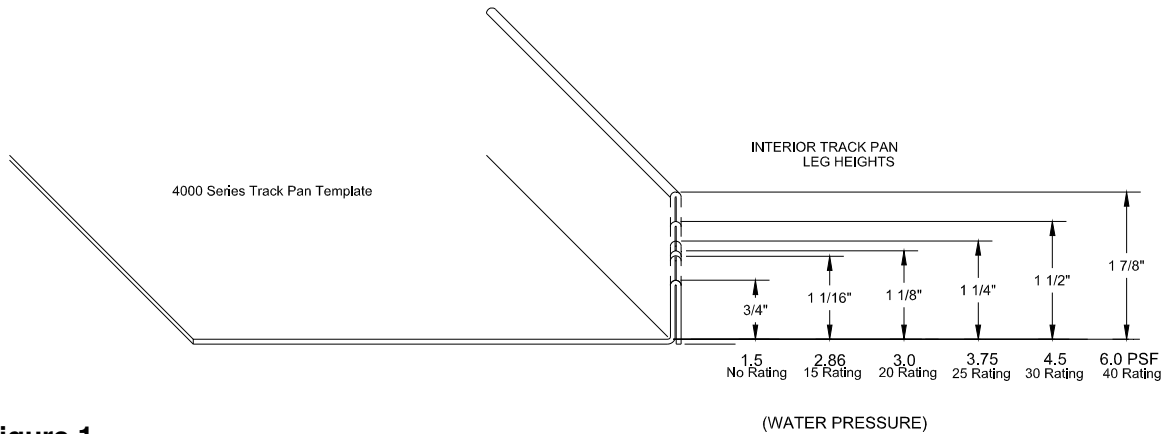


Figure 1

3. Open up packaged perimeter frame and confirm that all parts are present (compare with shipping manifest if available).

Frame Assembly

4. Assemble the perimeter frame, apply compatible sealant as shown. (See Fig. 2) Fasten frame components using frame assembly screws (#10 x 3/4") provided. Do not add compatible sealant to the lower corners of the jamb(s) or ends of sill track(s).

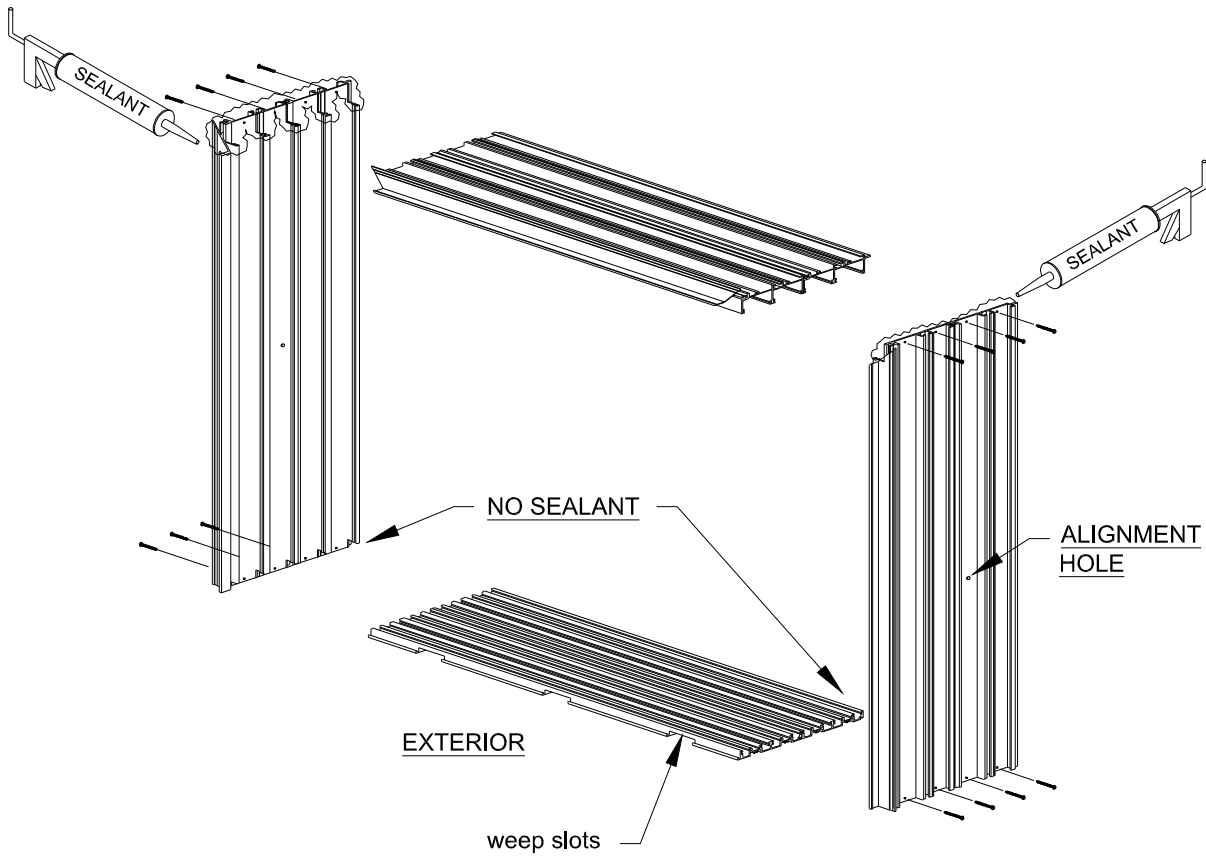
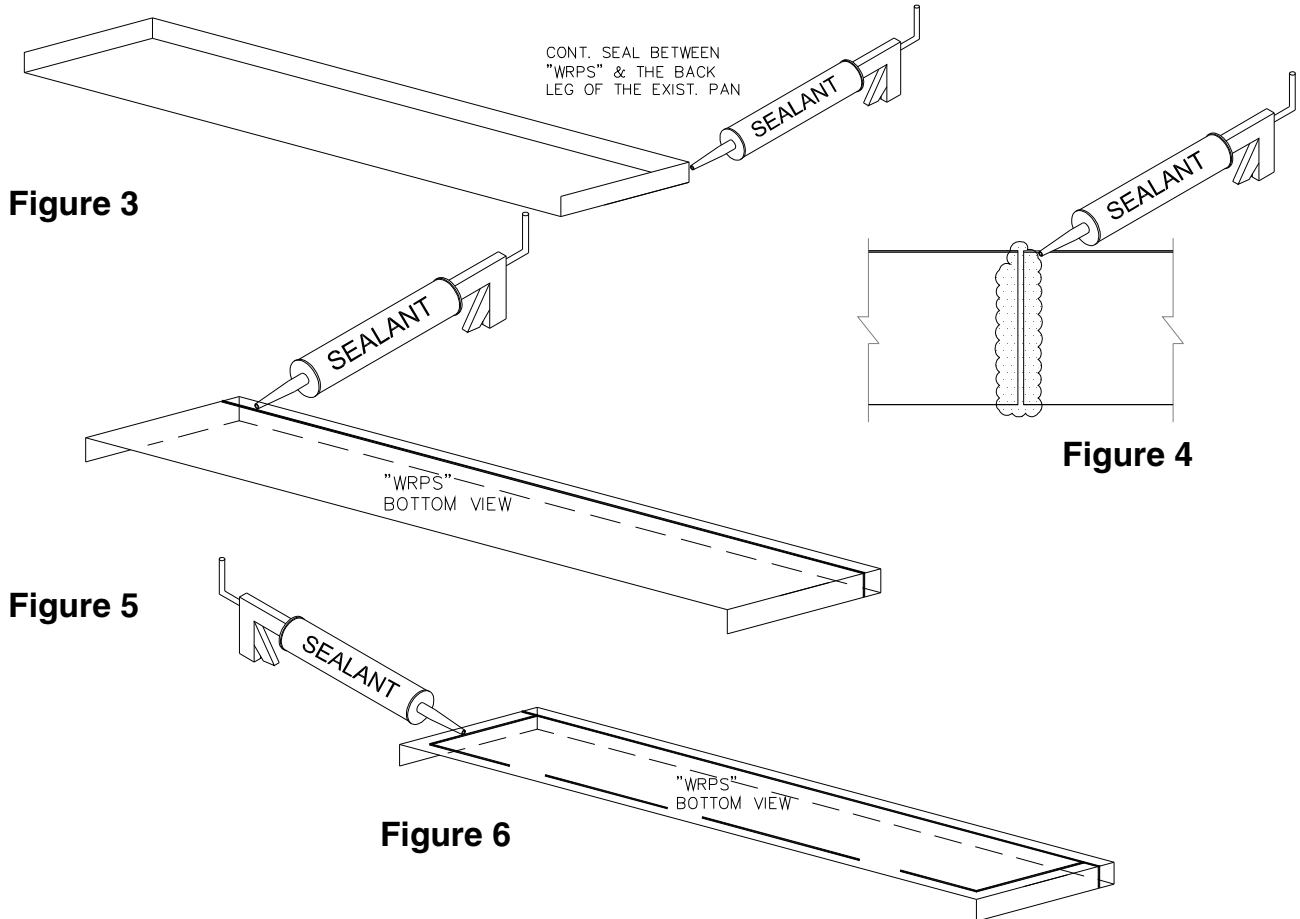


Figure 2

Track Pan Preparation

5. Install MWC formed aluminum “Water Return Pan System” (WRPS) (typically provided with the sliding door unit). Clean sheet metal sill pan (previously installed by a licensed contractor) per compatible sealant manufacturer’s instructions after verifying the compatibility of metals to ensure that galvanic corrosion does not occur. Also clean the bottom surface of the MWC’s WRPS to insure both surfaces are clean and free from debris.
6. Apply compatible sealant as shown (See Fig. 3-6) and set MWC track pan into compatible sealant. It is best to avoid puncturing the sill pan with fasteners, however if you must puncture the sill pan you must take the necessary steps to insure that all punctures are fully sealed.
 - If WRPS is more than one piece, butt the pieces and glue them together on the sub sill pan (See Fig. 4).
 - Apply compatible sealant to all interior and exterior seams.



Opening Preparation

- Apply min. WRB in accordance with ASTM E2112 (See Fig. 7) and material manufacturers specifications using a compatible sealant. Run a 3/8" (9mm) diameter continuous bead of compatible sealant to the backside (interior) of the door flange 1/2" in from the outer edge of the flange where fasteners will penetrate.

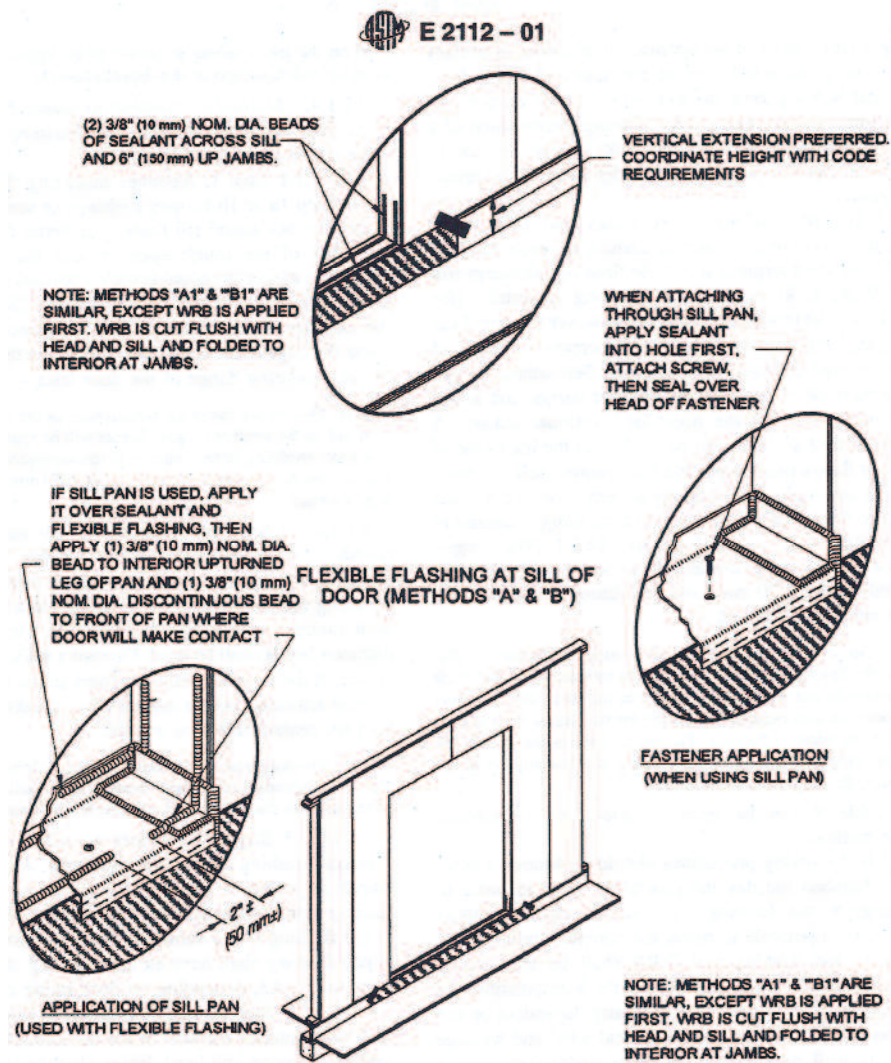
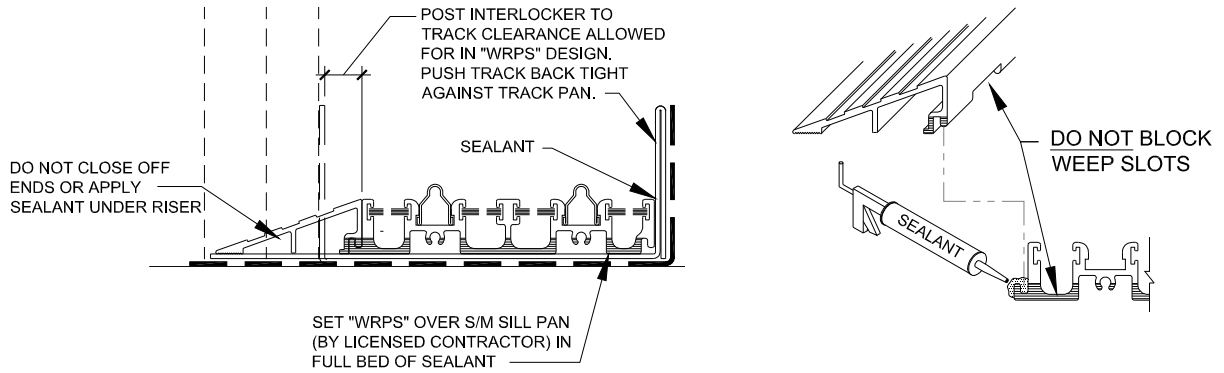


FIG. 36 Flexible Flashing at Sill of Door (Methods A and B)

Track Pan Installation

8. Apply compatible sealant as shown (See Fig. 8 & 9) into the MWC track pan careful not to interfere with the weep slots cut into the underside of the sill track.



9. Set the assembled perimeter frame into the MWC's WRPS. Carefully locate (drill & countersink as required) for frame installation screws. See chart (below) for recommended type and spacing of installation screws. These screws are not provided by MWC. Stainless steel screws are recommended. Please verify that metals used will not create galvanic corrosion. MWC recommends that installer verify fastener type and spacing per specific job condition.

Note: existing holes in track are weep holes only, do not use for installation.

Figure 8

Figure 9

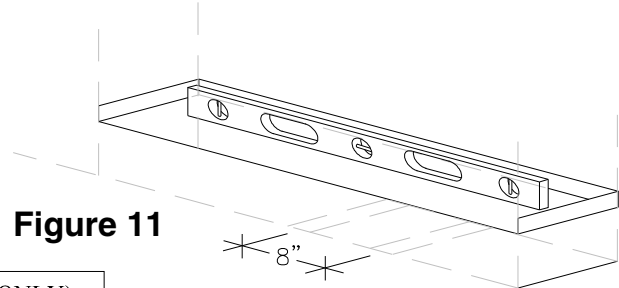
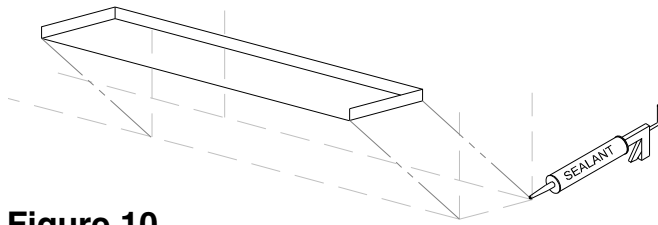
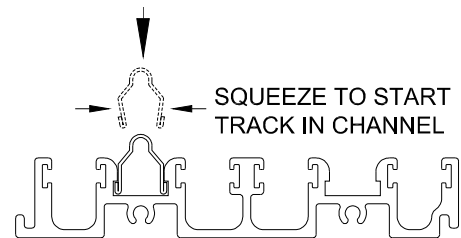


Figure 10

Figure 11

FRAME ANCHORS: FASTENER RECOMMENDATIONS (ONLY)				
PERIMETER CONDITION (MATERIAL)	FASTENER TYPE	DIST. FROM CORNERS	O.C. SPACING (MAX.)	EMBEDMENT (MIN.)
WOOD	#10 SMS STAINLESS	6"	16"	1 1/4"
ALUMINUM	#10 SMS STAINLESS	6"	16"	THROUGH
MASONRY	#10 SS SMS W/ SLEEVE	6"	16"	1 3/4"



Install Stainless steel tracks in sill.

Figure 12

Sliding Door Unit Installation

10. Install the perimeter frame. To confirm accuracy fasten the jambs and head shimming as required to maintain plumb level and square without bows all components of the perimeter frame in accordance with frame anchor recommendation (see page #9).
- A. MWC recommends applying a second application of the 9" minimum width WRB membrane in accordance with ASTM E2112 (weather board fashion), and run a liberal bead of compatible sealant as shown (Figure 7 similar.) where the WRB meets the nail-on fin of the sliding door frame.

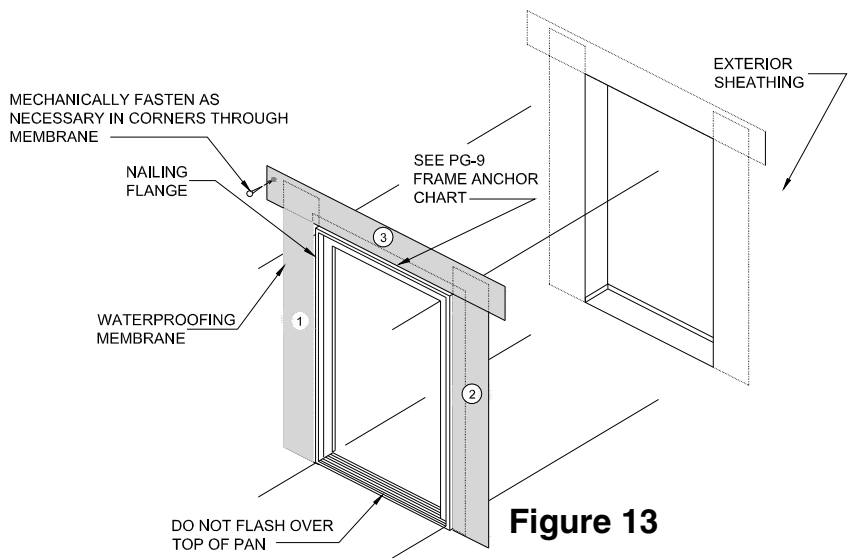


Figure 13

11. Identify the panels and their locations beginning with the 1st interior panel(s); install the panel by lifting the top of the panel into the head track, swinging the bottom of the panel onto the appropriate stainless steel track. Adjust wheels before sliding the panel to avoid possible damage to the finish on the sill. (See Fig. 14 & 15). Repeat this process with each panel.

Figure 14

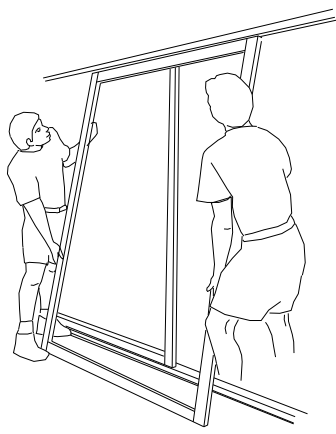
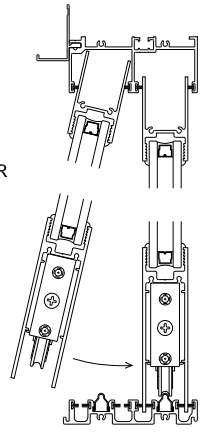


Figure 15 EXTERIOR





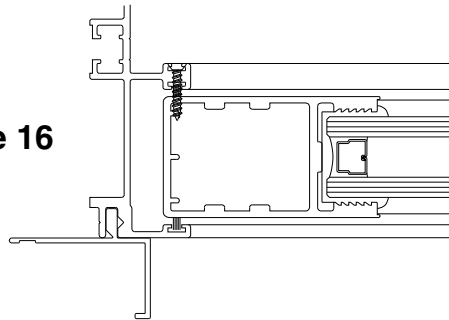
Carefully set the wheels down on the stainless steel tracks. These wheels utilize precision bearings. Any banging of the wheels on the stainless track could imprint a permanent nick on the roller bearings adversely affecting the operation of the wheels.

Note: Panels should be installed and adjusted at the time of track installation; left in a closed position for no less than 24 hours to allow for a proper seating.

Final Adjustment

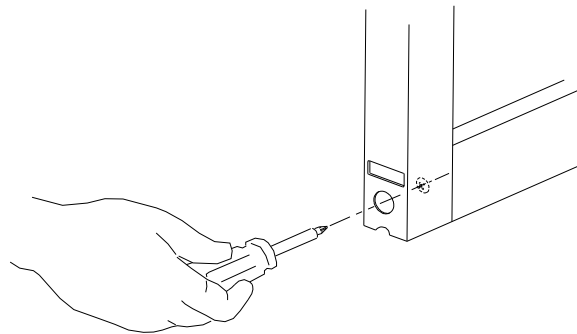
12. Install all fixed panels in the same manner, push back into the perimeter frame jamb pocket and fasten with four (4) (#10) screws to secure fixed panel(s) (See Fig. 16).

Figure 16



13. Final adjustment of all wheel heights, bottom rails should align horizontally. All vertical stiles should be plumb and the door should lock properly without interference (See Fig. 17).

Figure 17



14. Install head and sill closures. These are provided long to be field cut by the installer once all final adjustments are made. (See Fig. 18)

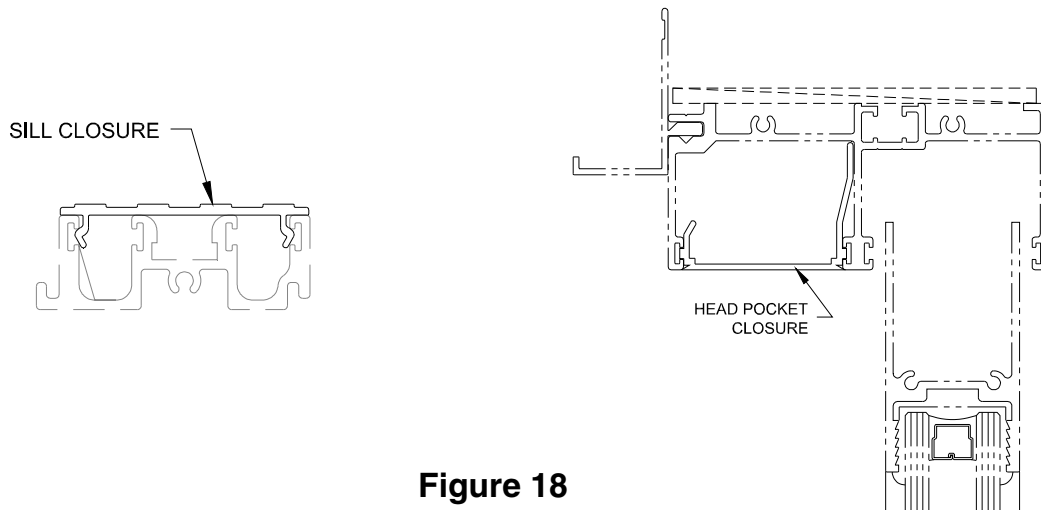


Figure 18

Bumper Installation

15. Install bumpers in active jamb tracks (with enclosed fasteners) approximately near center. (See Fig. 19)

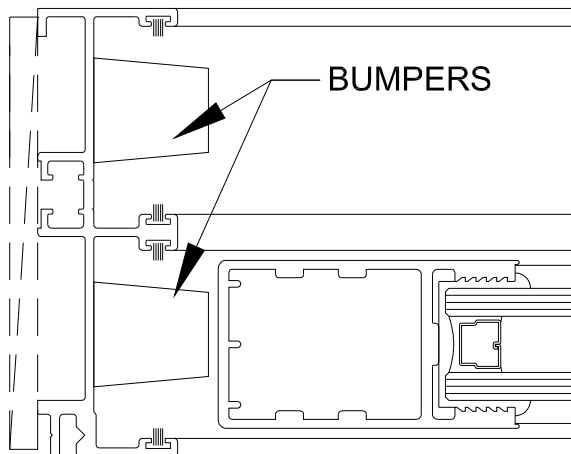


Figure 19

Additional Instructions for Pocket Door Installation

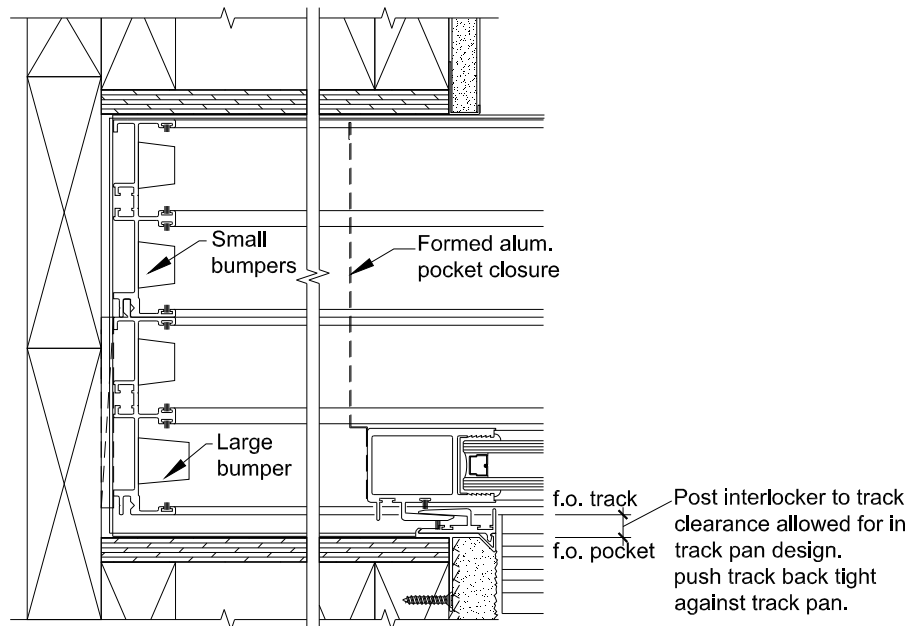
P1. Position the MWC WRPS (See Fig. 20) and pull tight to the exterior side of the pocket.

P2. Install door frame into MWC WRPS and position track as shown. (See Fig. 20). This is critical for proper interlock engagement. Check for proper alignment before permanently installing the door frame.

P3. Set panels starting with the exterior panel. Remove snap off section of the post interlock, allowing the exterior panel to slide back into pocket; install the balance of the panels and adjust to insure proper alignment and lock function.

P4. Once all final adjustments have been made, slide back the exterior panel approximately (3" to 4") snap on the previously removed post interlocker insert. (See Fig. 21)

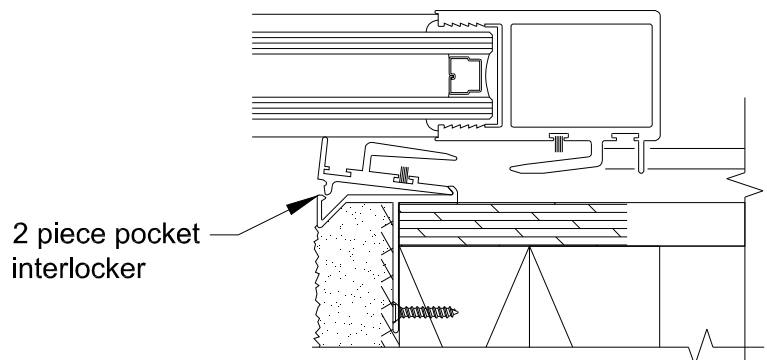
Figure 20



Move panel back so that stile allows clearance for interlock to be installed or removed



Figure 21



GENERAL INSTRUCTIONS

THESE INSTALLATION INSTRUCTIONS ARE RECOMMENDATIONS ONLY. FOR MORE DETAILED INSTRUCTIONS APPLICABLE TO THE TYPE OF INSTALLATION THAT IS INTENDED FOR THIS PRODUCT, PLEASE REFER TO THE CURRENT VERSION OF AMERICAN ARCHITECTURAL MANUFACTURERS ASSOCIATION AAMA 2400, STANDARD PRACTICE FOR INSTALLATION OF WINDOWS WITH A MOUNTING FLANGE IN STUD FRAME CONSTRUCTION. THE CURRENT VERSION OF AMERICAN SOCIETY FOR TESTING AND MATERIALS INTERNATIONAL ASTM E2112; STANDARD PRACTICE FOR INSTALLATION OF EXTERIOR WINDOWS, DOORS AND SKYLIGHTS.

INFORMATION MAY BE OBTAINED AT WWW.AAMANET.ORG OR WWW.ASTM.ORG.

Check that the opening is Level (in the horizontal plane), Plumb (in the vertical plane), True (across both planes), and square (across the diagonals) before proceeding with installation of this product.

Measure this product prior to installation, for sufficient clearance between product frame and opening.

The installation of the correct type of flashing and compatible sealant in the opening is critical to maintaining the weather resistant barrier. Please follow the flashing and compatible sealant manufacturer's specifications and installation details.

Sealing between this fenestration product and the flashed opening should be completed with the appropriate type of compatible sealant, recommended by the compatible sealant manufacturer for the type of application.

The compatible sealant manufacturers recommended application instructions for proper joint size and sealing technique must be followed.

Making sure that sashes or operating panels are closed and locked during installation; center this product into opening checking and measuring for level, plumb, true, and square.

This product should only be secured to the opening when it is level, plumb, true, and square. Follow the appropriate fastener schedule for fastener size and spacing. Fasteners should be selected and installed to secure the weight, wind load and temperature variations of this product to meet the current building codes, applicable for the region. Projected windows are not self supporting, and require supports and bracing.

Check this unit for ease of operation immediately after installation and that it is in good working condition. It is important that all weep holes remain unobstructed. Clean using only mild detergents and non-etching cleaning agents. Do not use hydrocarbon fuels or solvents, paint removers, aggressive alkaline, acidic, or abrasive cleaners, cleaners containing trisodium phosphate, organic solvents, strong soaps or detergents to clean this product.

MANUFACTURER MAKES NO WARRANTY, EXPRESSED OR IMPLIED, WITH RESPECT TO THESE INSTRUCTIONS OR ANY THIRD PARTY INSTRUCTIONS, AND MANUFACTURER SHALL NOT BE LIABLE FOR ANY DAMAGE OR LIABILITY THAT MAY ARISE IN CONNECTION WITH THE INSTALLATION OF THIS PRODUCT NOT PERFORMED BY MANUFACTURER.

General instructions available in Spanish upon request
Las instrucciones generales disponibles en español sobre la petición